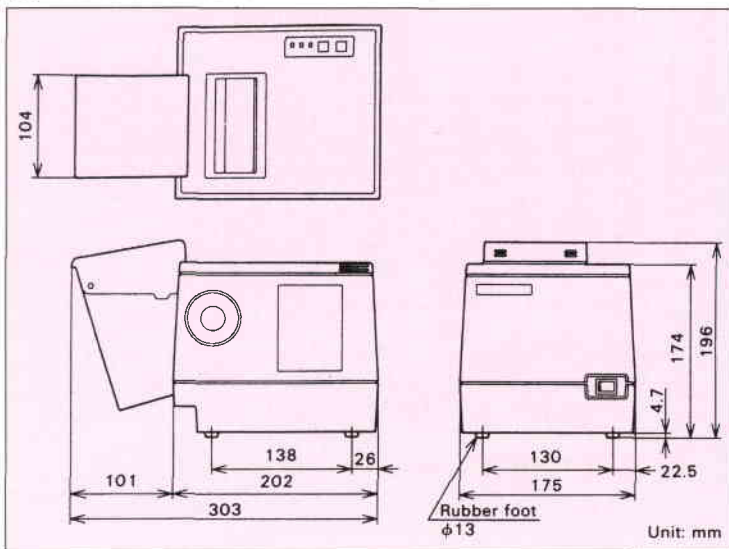


	A	B	C
3.5 inch	89 ± 0.5	76 ± 0.2	6.5 ± 0.1
3 inch	76 ± 0.5	66 ± 0.5	5 ± 0.1

(3.5 inch only for SP322S)

- Note 1) Do not print within 3 lines of perforation.
 Note 2) The crimp or glue must be on the right side.
 Note 3) 1. The perforation must not touch the sprocket hole.
 2. The crimp must not touch the perforation.
 3. The crimp must not catch when paper is transported.
 4. Use low dust paper media.

External View



Options and Expendables

Ribbon cassette	RC300P (Purple) • RC300B (Black)
RS-422A board	BD320K
20mA current loop board	BD320L

Dimensions and Weight (including paper holder)

Dimensions	175 (W) × 303 (D) × 196 (H) mm
Weight	3.6Kg

Model

	Interface	Number of columns	Paper width
SP321SD28	Serial	28	3.0", 3.5"
SP322SD40	Serial	40	3.5"
SP323SD35	Serial	35	3.0", 3.5"
SP321SC28	Parallel	28	3.0", 3.5"
SP322SC40	Parallel	40	3.5"
SP323SC35	Parallel	35	3.0", 3.5"

SPECIFICATIONS

	SP311F SP341F	SP312F SP342F SP349F	SP321S	SP322S	SP323S
Print Method	9-pin Serial impact dot matrix				
Print Direction	Bi-directional				
Number of Columns	28 (12CPI)	40 (15CPI)	28 (12 CPI)	40 (15 CPI)	35 (15 CPI)
Character Font	5×9 or 7×9				
Dot Pitch (Min)	0.417(H)×0.353(V)mm	0.330(H)×0.353(V)mm	0.417(H)×0.353(V)mm	0.330(H)×0.353(V)mm	0.333(H)×0.353(V)mm
Line Spacing	1/6", 1/8", n/144"		1/6", n/72"		
Character Size	12,10, 6, 5 CPI	15, 12, 8, 6 CPI	12,10, 6, 5 CPI	15, 12, 8, 6 CPI	15, 12, 8, 6 CPI
Printing Speed (line/sec.)	4.2	3.2	4.2	3.2	3.6
Paper Feed Speed	Approx.3 inches/sec				
Ink Ribbon					
Type	Ribbon cassette				
Life	Purple (standard) RC300P 6 million characters Black (option) RC300B 1.6 million characters				
Paper	Paper Rolls		Sprocket Fanfold		
Media					
Material	Normal or carbonless Paper				
Width	2.25",3",3.25" 57mm, 76mm, 82.5mm		3",3.5" 76mm, 89mm	3.5" 89mm	3",3.5" 76mm, 89mm
Diameter	85mm (MAX)		40mm(thickness Paper) Fanfold		
Thickness	0.07 to 0.10mm (Single copy)				
Copies	Original + two copies (MAX0.20mm) (each paper 0.05 to 0.08mm.)				
Reliability					
MCBF	8 million lines				
Print Head	200 million characters (7×9 Font)				
Operating Conditions	0 to 50 °C, 10 to 90%RH (without condensation)				
Storage Conditions	-20 to 70 °C, 5 to 95%RH (without condensation)				
Power Supply	AC 100, 120, 220, 240V				
Current Consumption	Peak 60W, Average 30W(when printing).10W (when idle)				
Paper Out Detector	Mechanical switch				
Peripheral Driver	For driving solenoid, etc.,2 circuits,24V 1A (MAX) , one compulsion input				
Data Buffer	Approx. 4KB (reducible by DIP switch)				
RAM Backup	Maintain data buffer for Approx. 10 hours (can be disabled by DIP switch)				